

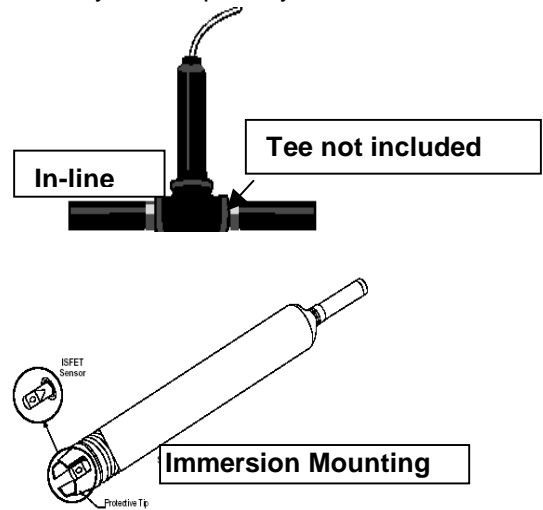
Series 7777D Durafet II Electrode with Cap Adapter In-line or Immersion Mounting

Model Selection Guide with Price Data

Model Selection Guide
51-52-16-61 Issue 8

Honeywell Proprietary

- Includes Electrode and Mounting
- Features state-of-the-art non-glass, ISFET technology
- The Durafet II with Cap Adapter can be used only with the following instruments:
 - 9782P-01 Analyzer
 - APT2000 Transmitter
 - 7082 Analyzers
- Suitable for in-line or immersion mounting
- Combination measuring and reference electrode



Instructions

- Select the desired Key Number. The arrow to the right marks the selection available.
- Make one selection each per table using the column below the proper arrow.
- A dot (•) denotes unrestricted availability.

List Price equals the sum of all prices for all selections made

Key Number I II III

_____ - _____ - _____ - _____

KEY NUMBER

Selection Availability

Description	Selection	Availability
7777 Durafet II Electrode Mounting	07777D	↓

TABLE I - Mounting Type, Temperature Sensor, Part No. (Durafet II pH Electrode)

Mounting	Temperature Sensor	Reference Fill	Electrode P/N		
Immersion	8550 Ohm Thermistor	KCl	51205554-002	01	•
	1000 Ohm RTD	KCl	51205554-011	03	•
In-Line	8550 Ohm Thermistor	KCl	51205554-001	04	•
	1000 Ohm RTD	KCl	51205554-009	06	•

Section 2

Page: AE-40

Effective Date: January 12, 2004

0777D ↓

TABLE II - Cap Adapter Cable Length

	Selection	
None	00	•
4 feet (1,22 meters)	01	•
8 feet (2,44 meters)	02	•
12 feet (3,66 meters)	03	•
20 feet (6,10 meters)	04	•
50 feet (15,24 meters)	05	•

TABLE III - Options

Tagging	Linen Customer I.D. Tag (limit to 3 lines, 22 spaces per line)	L	•
	Stainless Steel Customer I.D. Tag (limit to 3 lines, 22 spaces per line)	S	•
Certificate of Calibration	Yes	10	•

Series 777D

Accessories and Replacement Parts

Note: For replacement electrodes see Replacement Electrodes Price List, Page RE-1 & 2.

Description	Part Number
Directions - Durafet II Electrode	70-82-25-87
Directions - Durafet II 7777 Electrode Assembly	70-82-25-86
pH Buffer Solutions	
4.01	31103001
6.86	31103002
9.18	31103003
Smooth Electrode Tip - In-line Mounting	51204993-001
Guarded Tip - Immersion Mounting	51204992-001
Special CPVC pipe tee for 3/4" in-line mounting	31120167
Durafet II Gel Re-fill Kit	51205807-002
Cap Adapter Cables	
4 foot length (1,22 meters)	51205965-006
8 foot length (2,44 meters)	51205965-007
12 foot length (3,66 meters)	51205965-001
20 foot length (6,10 meters)	51205965-002
50 foot length (15,24 meters)	51205965-005