



IRIS Systems Inc.
 7583 Vantage Place, Delta, BC. V4G 1A5
 Ph: 604-584-4747 Fax: 604-581-9790 Email: flame@iris-systems.com

PRODUCT DATA SHEET: MODEL P522DC, MODEL P522AC



Product Description:

The IRIS Model P522 is a state of the art flame signal processor. It is designed to be used with the IRIS S5xx, S55x and S55xB series of Viewing Heads.

The IRIS Model P522 shares the same electrical specifications as the IRIS Model P520, however, it is a panel mounted device, whereas the Model P520 is rack mounted. Removable wiring connectors are provided to facilitate installation, and provide ease of removal of the unit if required.

In addition to the four LED's on the front panel, a digital readout and bar graph provide constant and concise information on the system status.

The front panel also provides a number of controls for setting up and operation of this microprocessor based flame monitoring signal processor.

SPECIFICATIONS

ELECTRICAL	P522 DC Input Power	22 – 26 VDC, 130mA plus 100mA for each Viewing Head
	P522 AC Input Power	85 – 264 VAC, 47 – 440 Hz, 0.3A Max.
	Battery Power (Battery V < Main V)	22 – 26 VDC, 130mA plus 100mA for each Viewing Head
	Power to Viewing Head	+26 VDC, fused @ 0.25A
ENVIRONMENTAL	Ambient Temperature	0°C to 52°C (32°F to 125°F)
CABLE	Signal Processor to V.H.	4 conductor, #18AWG one wire with braided shield (IRIS C328)
OUTPUTS	Flame Relay	2 form C contacts
	Self-Checking Relay	1 form C contacts
	Relay Contact Ratings	5A at 30VDC, 125VAC and 277VAC
	Analog Flame Signal	0-19.8mA or 4-19.8mA 360 ohms max resistance
	Power to Viewing Head	Fused with self-resetting fuses at 0.25A
INPUTS	Channel Select (Isolated Input Req. 2 wires)	Vin 7.5-30 VDC range (Input R=3900 Ohms) 26 VDC, 6.4mA 10 VDC, 2.3mA
	Flame Signal from Viewing Head	Vin 7.5-30 VDC range (Input R=3900 Ohms) 13.6 VDC, 3.2mA
SERIAL COMMUNICATION	RS-422 (Differential) 4800 or 9600 baud	Input/Output circuits photo coupler isolated from P522 power supplies and ground. Baud rate selectable from front panel of P520
WEIGHT	Shipping Weight	2 lbs (0.9Kg)
DIMENSIONS	Single unit Carton	7¼ x 7¼ x 4 ¾ inches
APPROVALS	The IRIS Model P522 Signal Processor has FM (Factory Mutual) approval and CSA (Canadian Standards Association) certification.	

CHANGES FOR P522AC SIGNAL PROCESSOR

The P522AC is an upgrade to the P522 Signal Processor. It features universal AC input power, a higher current rating for the relay contacts, a +24V OUT terminal to power the SEL inputs, and compatibility with all S5XX viewing heads. All the user features of the earlier P522 are maintained plus the self-resetting fuses, front panel lettering and the source impedance resistor requirement of Addendum 1.

P522AC SPECIFICATIONS

ELECTRICAL

- Main Power - 85- 264 VAC, 47- 440Hz, 0.3A MAXIMIM
- Battery Power - 22-24 VDC, 130mA plus 100mA/View Head

ENVIRONMENTAL

- Ambient Temp. - 0°C to 52°C CSA Rating
- 0°C to 60°C FM Rating

OUTPUTS

- Flame Relay - 2 Form C Contacts
- Self-Checking Relay - 1 Form C Contact
- Contact Ratings - 5A @ 30VDC, 125VAC and 277VAC
- Analog Signal - 0-19.8mA or 4-19.8mA 360 ohms max. resistance
- Power to View Heads - fused with self-resetting fuses at 0.25A
- +24VDC OUT - 50mA MAXIMUM

INPUTS

- Isolated Chan. Select - 7.5 - 30 VDC Input R = 3900 ohms
- Coil for V.H. Select - 17- 48 VDC (24 VDC nom)

SERIAL COMM.

- RS-422 baud rate - 4800 to 38400, user selected
- Cable - Two twisted pairs

VIEWING HEAD CABLE: When using S5XX view heads in ordinary locations, use IRIS C-328 cable or another cable running in a metal conduit to the control room or signal processor enclosure, or use IRIS C-330 cable or a shielded cable with UL ITC and CSA CIC (C22.2 No. 239) ratings without conduit. When using S55X viewing heads in hazardous locations the above cabling specifications also apply, except that if conduit is used, it must be sealed at both ends.

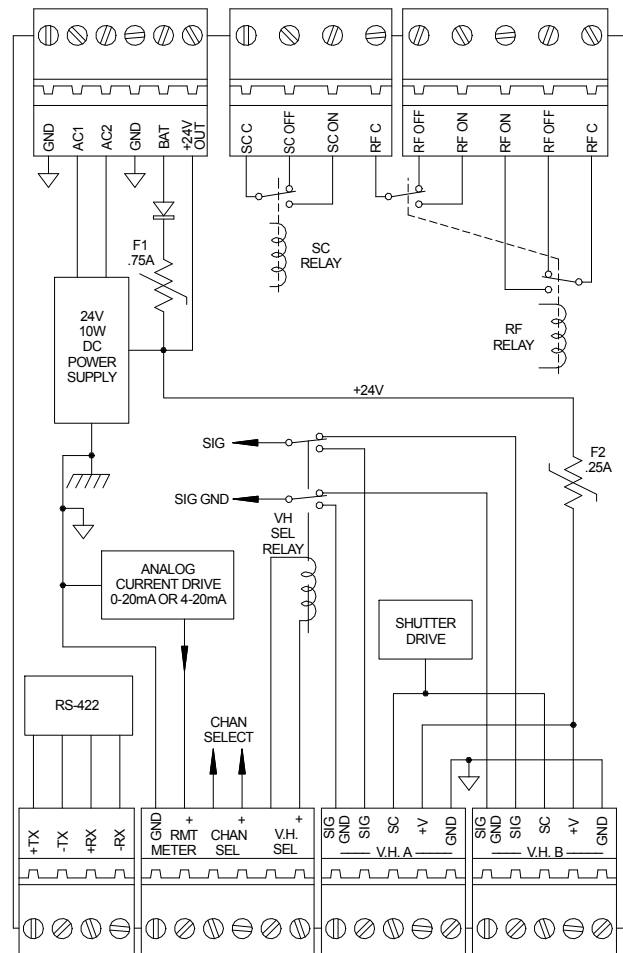
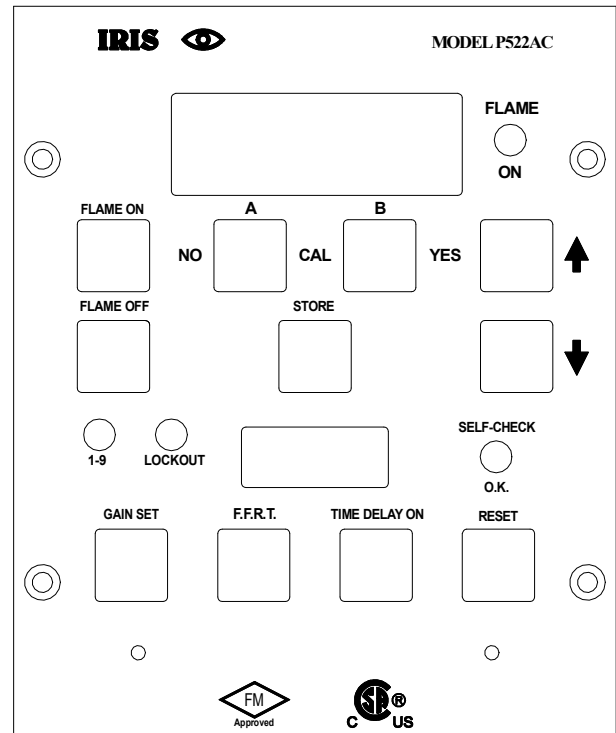
Contact information:

Sales and Applications:

IRIS Systems Inc.
 #7583 Vantage Place
 Delta, B.C. Canada
 V4G 1A5
 Ph: 800-667-IRIS
 Ph: 604-584-4747

Factory and Repairs:

JB Systems, Inc.
 4944 113th Ave. N
 Largo, FL 33760
 Ph: 727-545-3900
 Fax: 727-547-9589



CHANGES FOR P522DC SIGNAL PROCESSOR

The P522DC is an upgrade of the P522 Signal Processor. It features a higher current rating for the relay contacts and is compatible with all S5XX viewing heads. The front panel and the internal connections are shown on the right. All the user features of the earlier P522 are maintained plus the self-resetting fuses, front panel lettering and the source impedance resistor requirement of Addendum 1.

P522DC SPECIFICATIONS

ELECTRICAL

- Main Power - 22-26 VDC, 130mA
plus 100mA/View Head
- Battery Power - 22-26 VDC, 130mA
(Battery V < Main V)
plus 100mA/View Head

ENVIRONMENTAL

- Ambient Temp. - 0°C to 52°C CSA Rating
0°C to 60°C FM Rating

OUTPUTS

- Flame Relay - 2 Form C Contacts
- Self-Checking Relay - 1 Form C Contact
- Contact Ratings - 5A @ 30VDC, 125VAC
and 277VAC
- Analog Signal - 0-19.8mA or 4-19.8mA
360 ohms max. resistance
fused with self-resetting
fuses at 0.25A
- Power to View Heads -

INPUTS

- Isolated Chan. Select* - 7.5 - 30 VDC
Input R = 3900 ohms
- Coil for V.H. Select* - 17- 48 VDC (24 VDC nom)

SERIAL COMM.

- RS-422 baud rate - 4800 to 38400 user selected
- Cable - Two twisted pairs

VIEWING HEAD CABLE: When using S5XX view heads in ordinary locations, use IRIS C-328 cable or another cable running in a metal conduit to the control room or signal processor enclosure, or use IRIS C-330 cable or a shielded cable with UL ITC and CSA CIC (C22.2 No. 239) ratings without conduit. When using S55X viewing heads in hazardous locations, the above cabling specifications also apply, except that if conduit is used, it must be sealed at both ends.

Contact information:

Sales and Applications:
IRIS Systems Inc.
#7583 Vantage Place
Delta, B.C. Canada
V4G 1A5
Ph: 800-667-IRIS
Ph: 604-584-4747
Fax: 604-581-9790

Factory and Repairs:
JB Systems, Inc.
4944 113th Ave. N
Largo, FL 33760
Ph: 727-545-3900
Fax: 727-547-9589

