

## TECHNICAL DATA SHEET

### PRODUCT DESCRIPTION

The PET Series mag-preamps are designed to convert low level sinusoidal signals into stable square wave pulses. The signal conditioners are built to fit a compact "ELBY" type explosion-proof enclosure. This series is designed for use with the Lo-Co Series of low cost flowmeters.

### SPECIFICATIONS

Supply Voltage: 7.5 – 30 VDC regulated.  
12 – 30 VDC regulated. (PET-5)

Supply Current @ 30 VDC max:  
 ≤ 3 mA (0-5 V).  
 ≤ 12mA (0-10 V).  
 ≤ 20mA (OC).  
 ≤ 5mA (Current Loop).

Output Signal: Std.: 0-10 V.  
 R Load > 20 kΩ TTL: 0-5 V.  
 OC: Open Collector, NPN.

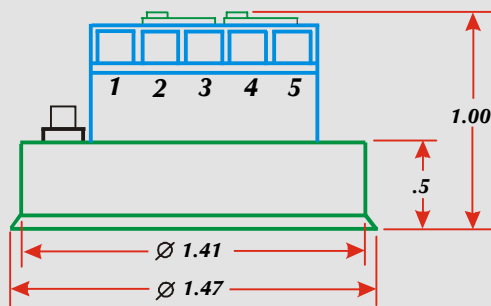
Frequency Range: 5Hz to 10kHz at specified sensitivity.

### MODEL NUMBERS

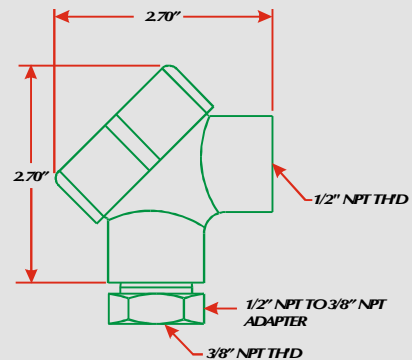
PET-4 TTL/CMOS (0-5 VDC)  
 PET-5 0-10 VDC Square Pulse.  
 PET-6 Open Collector.  
 (Note: Add -CE to end of model number to specify CE compliance.)

Input Sensitivity: 12 mVpp.  
 Distance Pickoff/Preamp: 500 ft. max.  
 Temperature Range: -40° to +221°F  
 (-40° to +105°C).  
 Terminal/Pin Connections: 1. Input VDC. 4. Mag Pickup.  
 2. Common. 5. Mag Pickup.  
 3. Pulse Out (+).  
 CE-Compliance: EN55011, EN50022-2.

### DIMENSIONAL INFORMATION



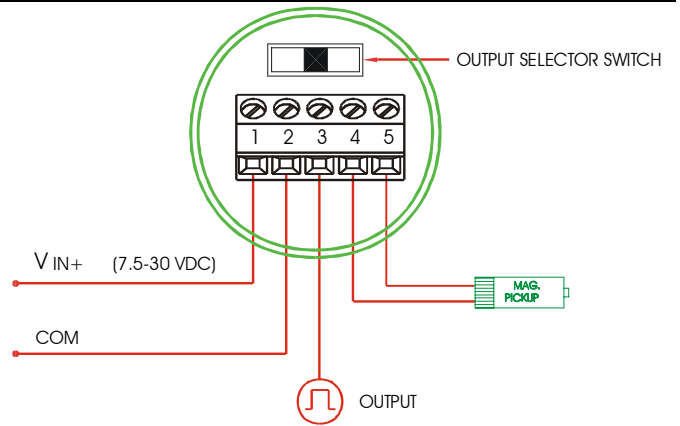
**General Purpose**



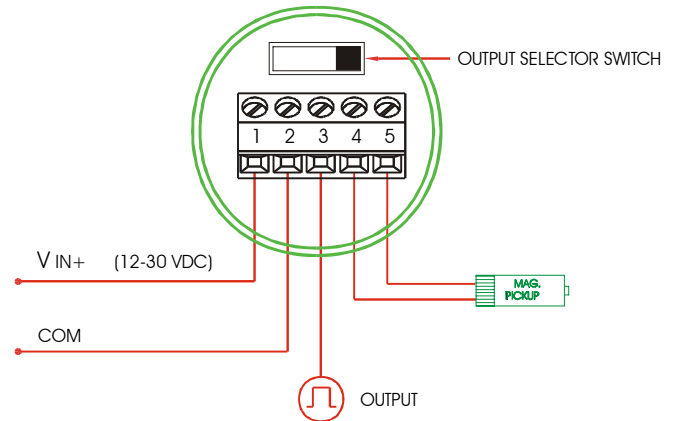
**Explosion-Proof**

# TYPICAL INSTALLATION WIRING

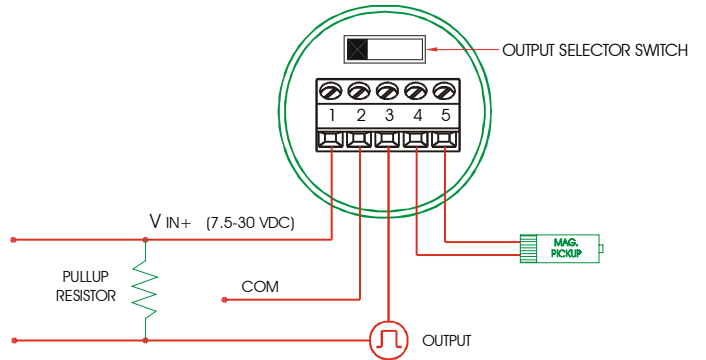
## Model PET-4 TTL/CMOS (0-5 VDC)



## Model PET-5 0-10 VDC Square Pulse



## Model PET-6 Open Collector



NOTE: FOR OPEN COLLECTOR OPTION, A USER SUPPLIED PULLUP RESISTOR IS REQUIRED, RECOMMENDED 27K NOMINAL.

**Your Local Representative is...**

**CE** is optional. Add -CE to end of model number (i.e. PET-4-CE).

**H OFFER FLOW CONTROLS, INC.**

107 Kitty Hawk Lane, P. O. Box 2145, Elizabeth City, NC 27906-2145  
800-628-4584 252-331-1997 FAX 252-331-2886  
www.hofferflow.com email: info@hofferflow.com

The specifications contained herein are subject to change without notice and any user of said specifications should verify from the manufacturer that the specifications are currently in effect. Otherwise, the manufacturer assumes no responsibility for the use of specifications which may have been changed and are no longer in effect.

The quality system covering the design, manufacture and testing of our products is certified to International Standard ISO 9001.

