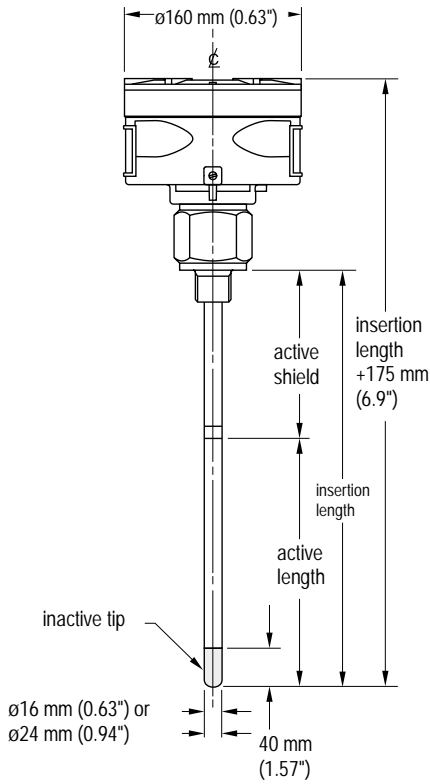
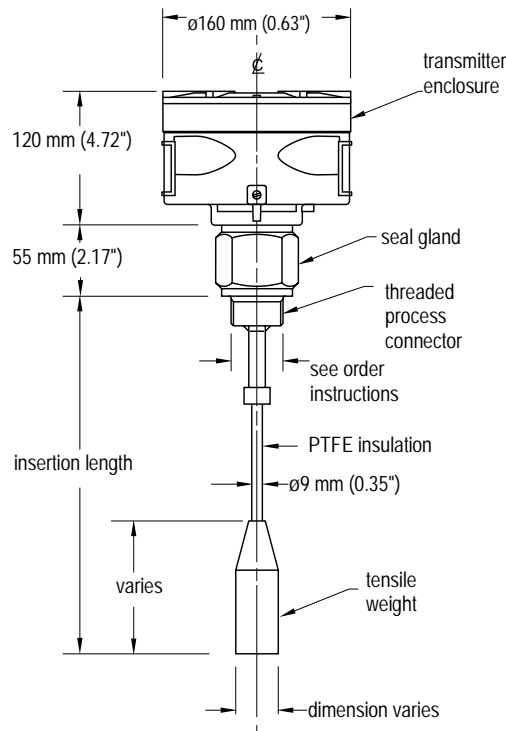


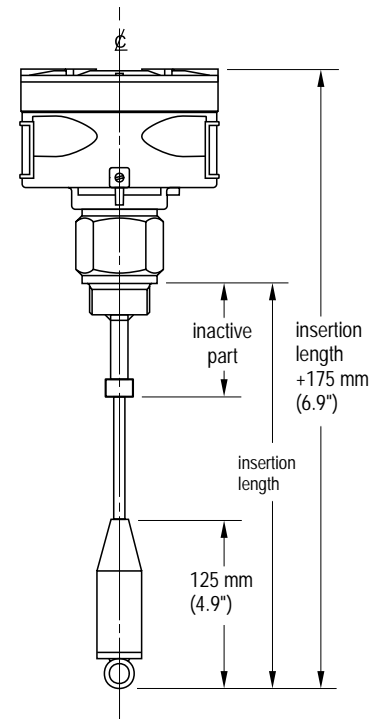
**MCP01 (Standard) S-Series: Threaded Version**



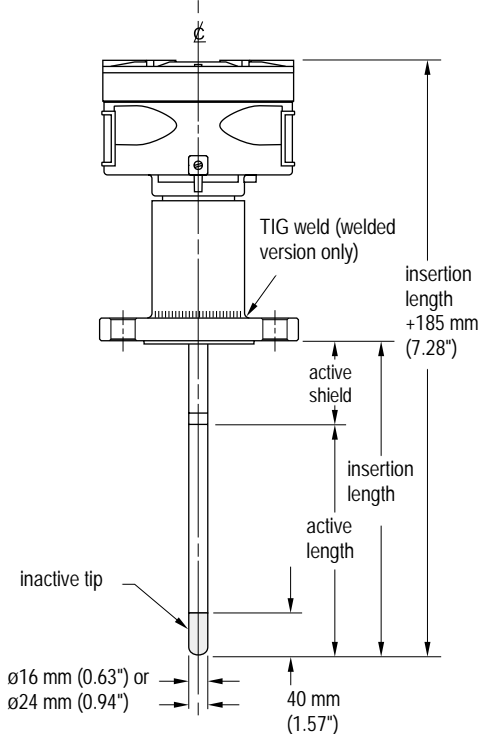
**S-Series: Cable Version**



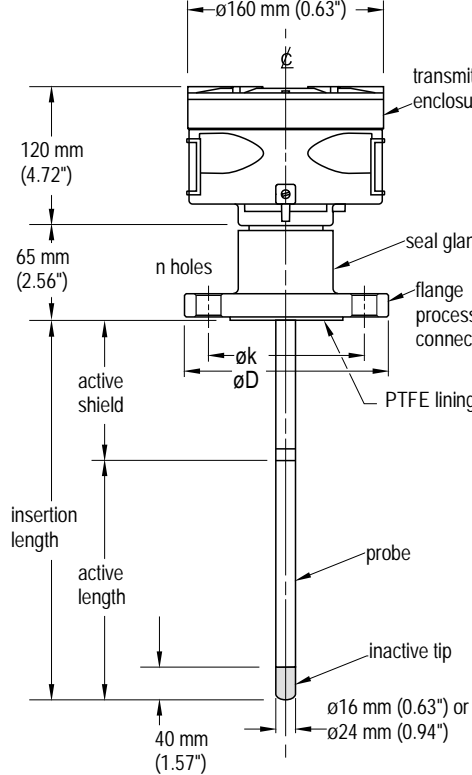
**S-Series: Cable Version (with anchor)**



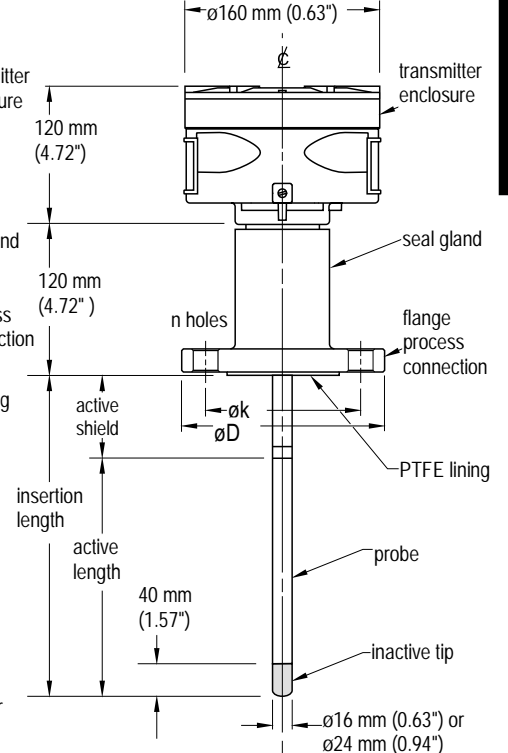
**MCP01 (Standard) S-Series: Flanged**



**D-Series**



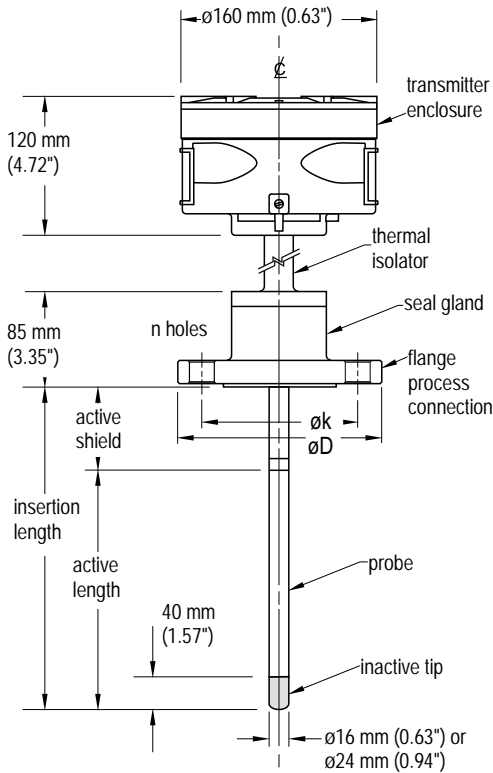
**DD and SD Series**



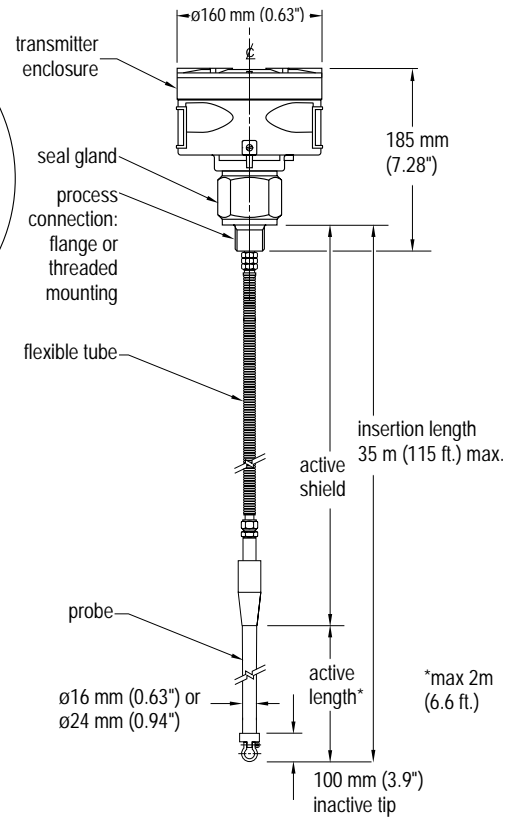
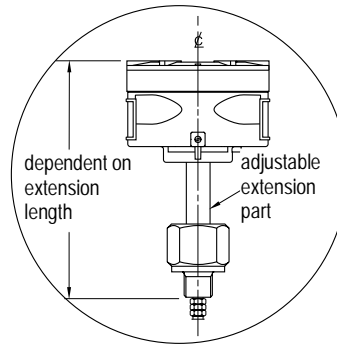
*Specifications are subject to change without notice.*

# Mercap Probe Configurations

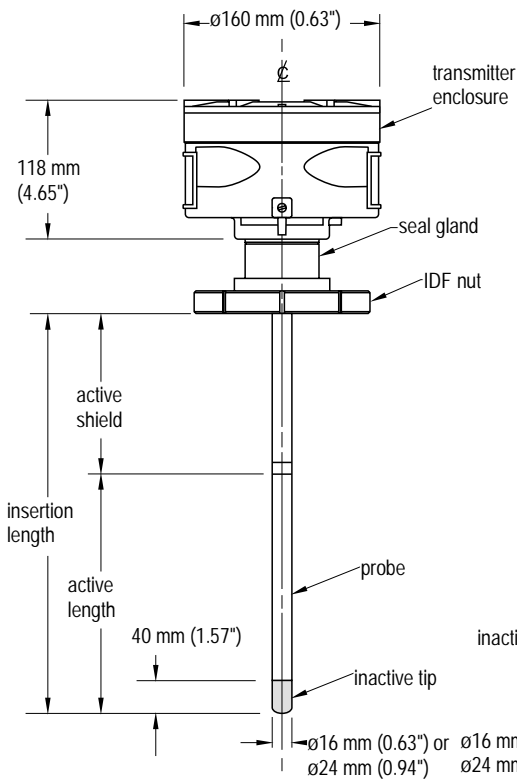
Probe/Thermal Isolator



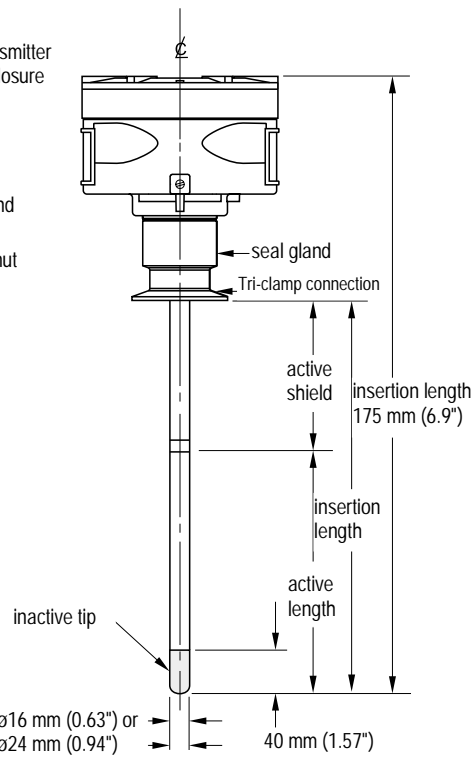
Interface Level Version (MCP02)



Sanitary Thread Coupling



Sanitary Tri-Clamp



Level Measurement  
Continuous Level