

SITRANS F M MAGFLO® Electromagnetic flowmeter Wall mounting kit

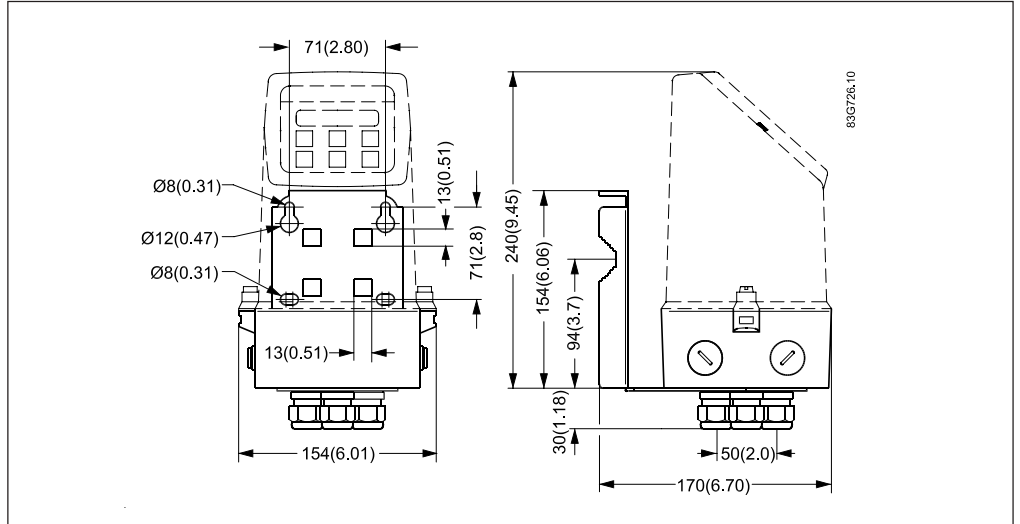
083R9102

083R9102

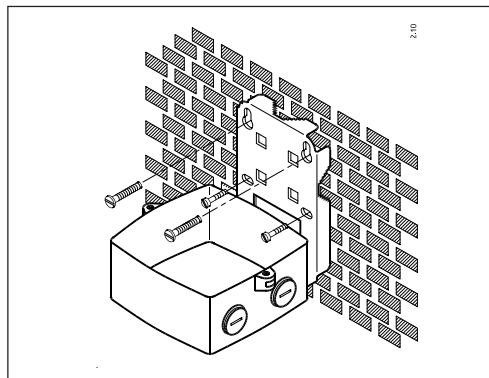
Contents

- 1 stainless steel mounting bracket with polyamide terminal box.
- 4 polyamide cable glands

Dimensions

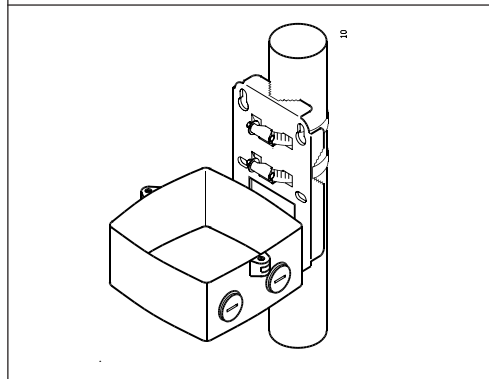


Wall mounting



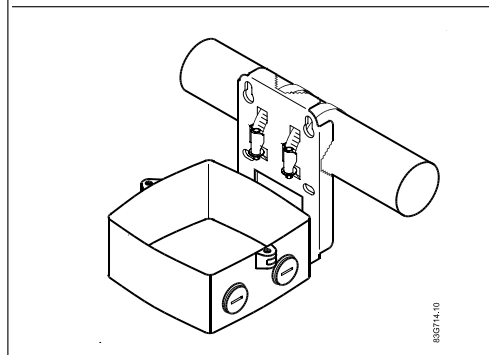
Mount the wall bracket on a wall or in the back of a panel.

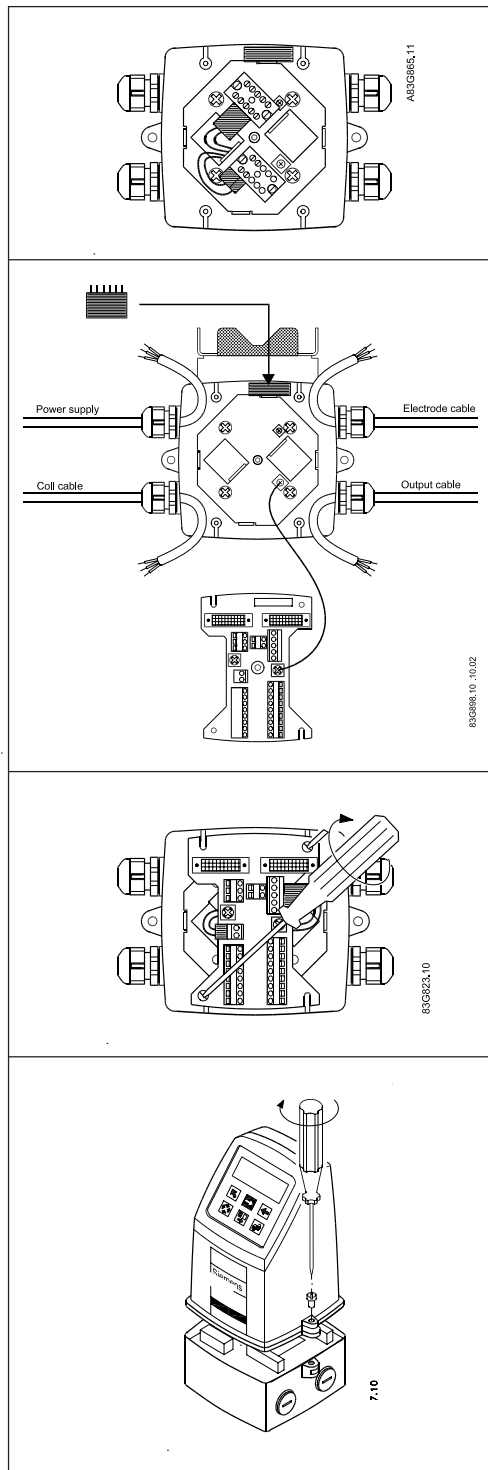
Vertical pipe mounting



Mount the wall bracket on a vertical or horizontal pipe using an ordinary hose clip or a duct strap.

Horizontal pipe mounting





Take the SENSORPROM® unit from the terminal box.

Fit the SENSORPROM® unit on the connection plate.

The SENSORPROM® unit **must** be mounted correctly, i.e. the text must be turned away from the connection plate.

Fit the sensor cables, supply cable and output cable through the cable glands at the bottom of the wall bracket.

Locate the connection plate in the wall bracket as shown and connect the cables. (See electrical connection diagram in the handbook).

The unshielded cable leads must be as short as possible. The electrode cable and the coil cable must be kept separate to prevent interference.

Mount the signal converter on the wall bracket.