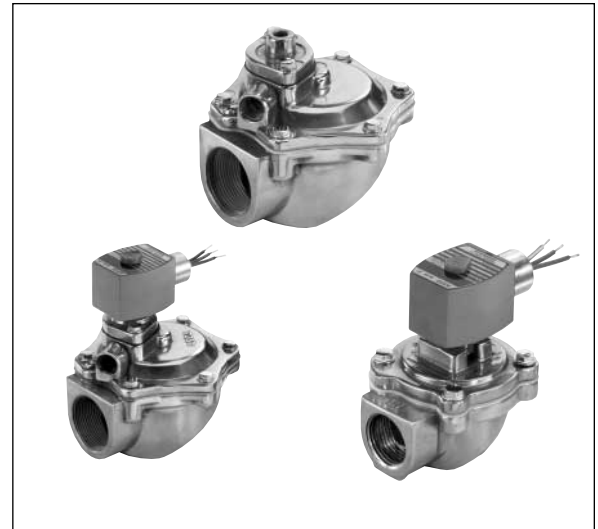


**Features**

- Specially designed for reverse jet-type dust collector systems.
- High flow Cv's to 140 for effective bag cleaning.
- High cycle life.
- Fast opening/closing.

**Construction**

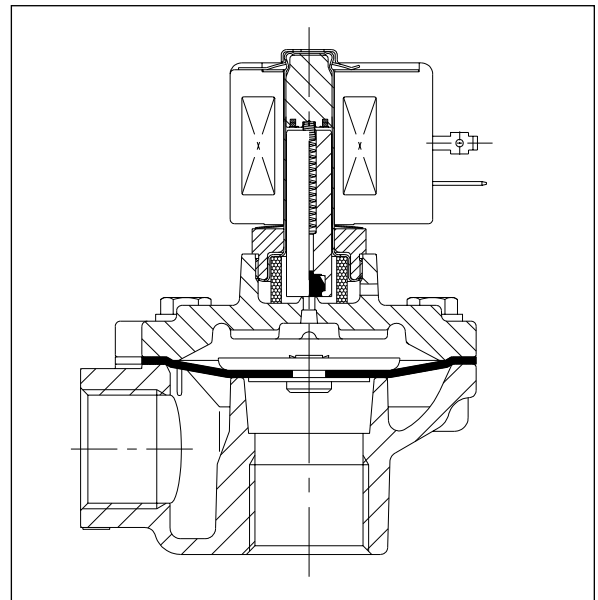
Valve Parts in Contact with Fluids	
Body	Aluminum
Seals	NBR
Diaphragm	NBR, HYT, or CR, as noted
Discs	NBR or PA, as noted



**Electrical**

Standard Coil and Class of Insulation	Watt Rating and Power Consumption			Spare Coil Part No.	
	AC			General Purpose	Explosionproof
	Watts	VA Holding	VA Inrush	AC	AC
F	6.1	16	30	238210	238214
F	10.1	25	50	238610	238614
F	17.1	40	70	238610	238614

**Standard Voltages:** 24, 120, 240, 480 volts AC, 60 Hz (or 110, 220 volts AC, 50 Hz). Consult factory for DC voltage. Other voltages are available when required.



**Solenoid Enclosures**

**Standard:** Watertight, Types 1, 2, 3, 3S, 4, and 4X.  
**Optional:** Explosionproof and Watertight, Types 3, 3S, 4, 4X, 6, 6P, 7, and 9.  
 (To order, add prefix "EF" to catalog number.)  
 See *Optional Features Section* for other available options.  
 Consult your local ASCO office for details on accessories.

**Nominal Temperature Ranges:**

**Ambient:** AC constructions: 0°F to 185°F (-18°C to 85°C).  
 150°F (66°C) maximum for valves with HYT diaphragm.  
 Consult local sales office for DC constructions.

**Fluids:** 0°F to 185°F (-18°C to 85°C), except as noted.  
 For temperatures to 300°F (149°C), specify FPM, suffix "V" (except where noted).  
 Refer to *Engineering Section* for details.

SERIES  
**8353**  
Dust Collector



Specifications (English units)

Pipe Size (ins.)	Orifice Size (ins.)	Cv Flow Factor	Min. Operating Pressure Differential (psi) ⑩	Max. Operating Pressure Differential (psi) ⑩	Integral Pilot		Remote Pilot Construction (Minimum Pilot Valve Orifice Size = 1/8")	Constr. Ref. No.	Watt Rating/Class of Coil Insulation	Rebuild Kit AC Valves	Diaphragm Only 10 Pack "Zip" Kit
					Catalog Number	Catalog Number					
3/4	3/4	10.5	5	125	--		8353C33 ③	1	-	K96875	K238864
3/4 ①	3/4	10.5	5	125	--		8353C30 ③	1	-	K96875	K238864
3/4 ②	3/4	10.5	5	125	--		8353C4 ③	1	-	K96875	K238864
1	1 1/8	20	5	125	--		8353C35 ④	1	-	K200262	K238866
1	1 1/8	20	5	125	8353G41 ④	--		4	6.1/F	K314450	K238866
1	1 5/8	18	15	125	8353G6 ⑤ ⑧	--		3	17.1/F	K300144	--
1 1/4	1 5/8	20	15	125	8353G5 ⑤ ⑧	--		3	17.1/F	K300144	--
1 1/2	1 1/2	35	15	125	8353G1 ⑤ ⑧	--		3	17.1/F	K300144	--
1 1/2	2	53	10	125	--		8353H38 ④	2	-	K276886	K238870
1 1/2	2	53	5	125	8353J39 ④	--		5	10.1/F	K322108	K238870
1 1/2	2	48	5	125	8353G61 ⑨	--		5	10.1/F	K316297	--
1 1/2	2	48	10	125	--		8353A62 ⑨	2	-	K276884	--
2	2	60	15	125	8353G2 ⑤ ⑧	--		3	17.1/F	K300145	--
2	2	76	5	125	--		835348 ⑥ ⑦	2	-	K256802	K256797
2	2	76	5	125	8353G50 ⑥	--		5	10.1/F	K316029	K256797
2 1/2	2 1/2	82	5	125	--		835349 ⑥ ⑦	2	-	K256802	K256797
2 1/2	2 1/2	82	5	125	8353G51 ⑥	--		5	10.1/F	K316029	K256797
2 1/2	3	82	15	125	8353G7 ⑤	--		6	10.1/F	K176878	--
3	3	140	15	125	8353G8 ⑤	--		6	10.1/F	K176878	--

**Notes:** ① Supplied with internal slip fit connection on outlet.  
 ② Extended ends for Dresser connections.  
 ③ NBR diaphragm.  
 ④ HYT diaphragm max. fluid temp. 150°F. For higher temperature, consult factory.  
 ⑤ CR diaphragm/PA disc.  
 ⑥ CR diaphragm.  
 ⑦ Minimum pilot orifice size 7/32".  
 ⑧ Consult factory for remote piloted construction.  
 ⑨ NBR diaphragm, PA disc, long-life construction. Maximum fluid temp. 185°F.  
 ⑩ Contact local sales office for DC pressure requirements.

Specifications (Metric units)

Pipe Size (ins.)	Orifice Size (mm)	Kv Flow Factor (m3/h)	Min. Operating Pressure Differential (bar) ⑩	Max. Operating Pressure Differential (bar) ⑩	Integral Pilot		Remote Pilot Construction (Minimum Pilot Valve Orifice Size = 1/8")	Constr. Ref. No.	Watt Rating/Class of Coil Insulation	Rebuild Kit AC Valves	Diaphragm Only 10 Pack "Zip" Kit
					Catalog Number	Catalog Number					
3/4	19	9.0	0.3	8.6	--		8353C33 ③	1	-	K96875	K238864
3/4 ①	19	9.0	0.3	8.6	--		8353C30 ③	1	-	K96875	K238864
3/4 ②	19	9.0	0.3	8.6	--		8353C4 ③	1	-	K96875	K238864
1	29	17.1	0.3	8.6	--		8353C35 ④	1	-	K200262	K238866
1	29	17.1	0.3	8.6	8353G41 ④	--		4	6.1/F	K314450	K238866
1	41	15.4	1.0	8.6	8353G6 ⑤ ⑧	--		3	17.1/F	K300144	--
1 1/4	41	17.1	1.0	8.6	8353G5 ⑤ ⑧	--		3	17.1/F	K300144	--
1 1/2	38	30.0	1.0	8.6	8353G1 ⑤ ⑧	--		3	17.1/F	K300144	--
1 1/2	51	45.4	0.7	8.6	--		8353H38 ④	2	-	K276886	K238870
1 1/2	51	45.4	0.3	8.6	8353J39 ④	--		5	10.1/F	K322108	K238870
1 1/2	51	41.1	0.3	8.6	8353G61 ⑨	--		5	10.1/F	K316297	--
1 1/2	51	41.1	0.7	8.6	--		8353A62 ⑨	2	-	K276884	--
2	51	51.4	1.0	8.6	8353G2 ⑤ ⑧	--		3	17.1/F	K300145	--
2	51	65.1	0.3	8.6	--		835348 ⑥ ⑦	2	-	K256802	K256797
2	51	65.1	0.3	8.6	8353G50 ⑥	--		5	10.1/F	K316029	K256797
2 1/2	64	70.3	0.3	8.6	--		835349 ⑥ ⑦	2	-	K256802	K256797
2 1/2	64	70.3	0.3	8.6	8353G51 ⑥	--		5	10.1/F	K316029	K256797
2 1/2	76	70.3	1.0	8.6	8353G7 ⑤	--		6	10.1/F	K176878	--
3	76	120.0	1.0	8.6	8353G8 ⑤	--		6	10.1/F	K176878	--

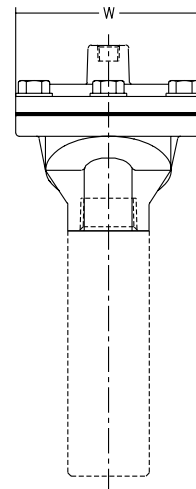
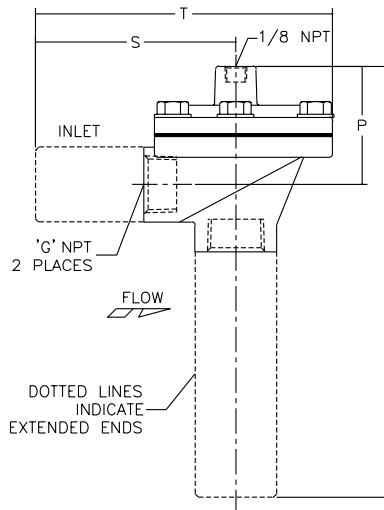
SERIES  
**8353**  
Dust Collector



Dimensions: inches (mm)

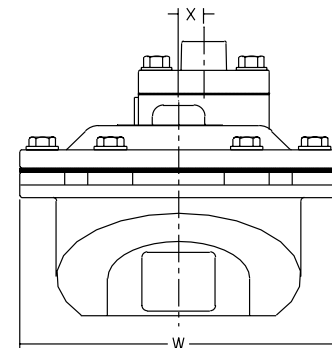
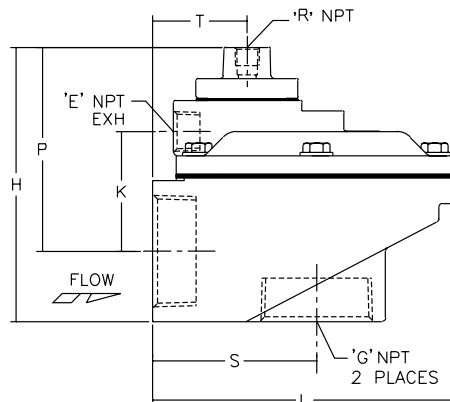
Cat. No.	"G"		H	L	P	Bonnet Bolts	T	W
8353C4	Extended End	ins.	7.94	3.69	2.16	5.00	5.16	3.44
		mm	201.6	93.7	54.8	127.0	131.0	87.3
8353C30	3/4 NPT (Inlet)	ins.	3.44	1.69	2.19	5.00	3.47	3.44
		mm	87.3	42.9	55.6	127.0	88.1	87.3
	3/4 Socket (Outlet)	ins.	3.44	1.69	2.19	5.00	3.47	3.44
		mm	87.3	42.9	55.6	127.0	88.1	87.3
8353C33	3/4 NPT	ins.	3.44	1.69	2.19	5.00	3.47	3.44
		mm	87.3	42.9	55.6	127.0	88.1	87.3
8353C35	1 NPT	ins.	2.53	2.03	1.69	4.00	3.50	2.94
		mm	64.3	51.6	42.9	101.6	88.9	74.6

Constr. Ref. 1



Cat. No.	"E" NPT	"G" NPT	H	L	P	"R" NPT	S	T	W	X	
8353H38	3/8	1 1/2	ins.	4.63	5.16	3.44	1/8	2.78	1.61	5.38	0.44
			mm	117.5	131.0	87.3		70.6	40.9	136.5	11.1
8353A62	3/8	1 1/2	ins.	5.16	5.16	3.44	1/8	2.78	1.61	5.38	0.44
			mm	131.0	131.0	87.3		70.6	40.9	136.5	11.1
835348	3/4	2	ins.	6.47	6.63	4.69	1/4	3.75	2.56	6.50	--
			mm	164.3	168.3	119.1		95.3	65.1	165.1	--
835349	3/4	2 1/2	ins.	6.47	6.63	4.69	1/4	3.75	2.56	6.50	--
			mm	164.3	168.3	119.1		95.3	65.1	165.1	--

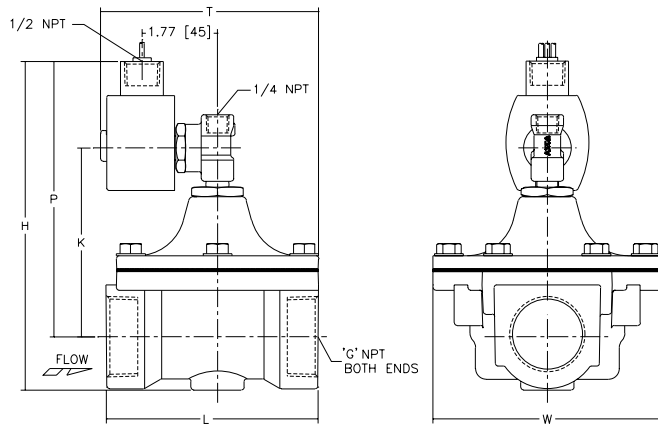
Constr. Ref. 2



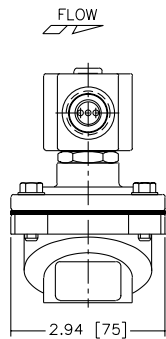
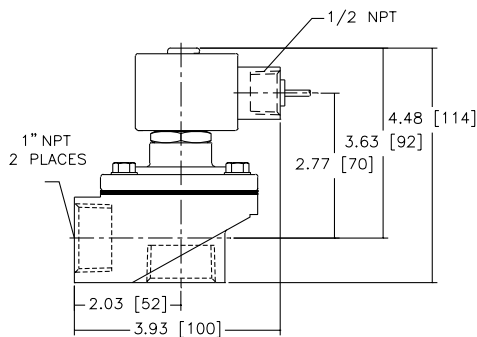
Dimensions: inches (mm)

**Constr. Ref. 3**

Cat. No.	"G" NPT		H	L	P	S	T	W
8353G1	1 1/2	ins.	7.72	5.00	6.47	1.78	5.13	5.38
		mm	196.1	127.0	164.3	45.2	130.2	136.5
8353G2	2	ins.	8.34	6.09	6.84	1.78	5.56	6.34
		mm	211.9	154.8	173.8	45.2	141.3	161.1
8353G5	1 1/4	ins.	7.72	5.00	6.47	1.78	5.13	5.38
		mm	196.1	127.0	164.3	45.2	130.2	136.5
8353G6	1	ins.	7.72	5.00	6.41	1.78	5.13	5.38
		mm	196.1	127.0	162.7	45.2	130.2	136.5

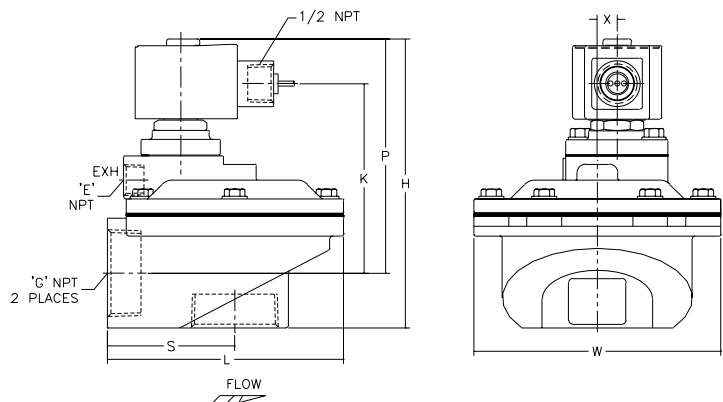


**Constr. Ref. 4**



**Constr. Ref. 5**

Cat. No.	"E" NPT	"G" NPT		H	L	P	S	T	W	X
8353J39	3/8	1 1/2	ins.	6.28	5.16	5.08	2.78	1.61	5.38	0.44
			mm	159.5	131.0	129.0	70.6	40.9	136.5	11.1
8353G61	3/8	1 1/2	ins.	6.28	5.16	5.08	2.78	1.61	5.38	0.44
			mm	159.5	131.0	129.0	70.6	40.9	136.5	11.1
8353G50	3/4	2	ins.	8.25	6.63	6.47	3.75	2.56	6.50	--
			mm	209.6	168.3	164.3	95.3	65.1	165.1	--
8353G51	3/4	2 1/2	ins.	8.25	6.63	6.47	3.75	2.56	6.50	--
			mm	209.6	168.3	164.3	95.3	65.1	165.1	--



**Constr. Ref. 6**

